

Chapter 5 Parts/Consumables List

5-1 Parts/Consumables

5.1 Parts/Consumables

5.1.1 Parts Catalog

The Maintenance parts of the scanner are listed below:
See Fig. 5.1 and Fig. 5.2 for the Parts appearance.

Index No.	Composition & Quantity		Description	Specification	Repair by PFU	Remarks
1	1		ADF Unit	CA06009-E001	N/A	
2		1	ADF Upper Cover	CA06009-G003	N/A	
3		1	Pick Cover	CA06009-F001	N/A	
4		1	Feed roller ASY	CA06009-F002	N/A	
4a		1	ADF motor	CA06009-G055	N/A	
4b		1	Feed roller	CA06009-G050	N/A	
4c		1	MYLAR,220x23x0.10T	CA06009-Y049	N/A	
5		1	Document Cover	CA06009-F008	N/A	
5a		2	MYLAR,54x15x0.125T	CA06009-Y048	N/A	
5b		1	MYLAR,217x34x0.125T	CA06009-Y050	N/A	
6	1		Stopper	CA06009-F032	N/A	
7	1		Chute B	CA06009-F031	N/A	
8	1		Chute A	CA06009-F030	N/A	
9	1		Upper Cover ASY	CA06009-G015	N/A	
10	1		Front Cover	CA06009-Y020	N/A	
11	1		CCD Unit	CA06009-F010	N/A	
12		1	Lamp ASY	CA06009-F012	N/A	
13		1	Inverter	CA06009-G014	N/A	
14		1	FB Motor ASY	CA06009-F013	N/A	
15		1	Carrier Cable	CA06009-Y019	N/A	
16	1		Bottom ASY	CA06009-F040	N/A	
17		1	Lock	CA06009-Y045	N/A	
18		1	Belt ASY	CA06009-G017	N/A	
19		1	LED ASY	CA06009-G018	N/A	
20	1		Main Board	CA06009-G016	N/A	
21	1		Switch	CA06009-G021	N/A	
22	1		Main Board Cover	CA06009-F046	N/A	
23	1		AC Adapter	CA06009-F036	N/A	
24	1		AC Cable Japan	CA06009-G035	N/A	For Japan
25	1		AC Cable USA	PA03209-Y357	N/A	For North-America
26	1		AC Cable EUR	CA06009-G049	N/A	For Europe
27	1		USB Cable	CA06009-G037	N/A	

5.1.2 Consumables

Index No.	Quantity	Description	Specification	Figure	Lifetime setting	Repair by PFU
30	1	PAD ASY	CA06009-G009	1	1 year or 20,000 sheets	N/A

Rev	DATE	DESIG.	CHECK	APPR.	DESCRIPTION	TITLE	PAGE	
03	Aug.15,02	Anzai	Anzai	Hasegawa	See Revision Record on page 2	fi-4010CU IMAGE SCANNER MAINTENANCE MANUAL	DRAW. No.	P1PA03209-B21X/6
02	July 23,02	Anzai	Anzai	Hasegawa	See Revision Record on page 2			
	May. 28, 02	Anzai	CHECK	Anzai	APPR. Hasegawa	PFU LIMITED		75

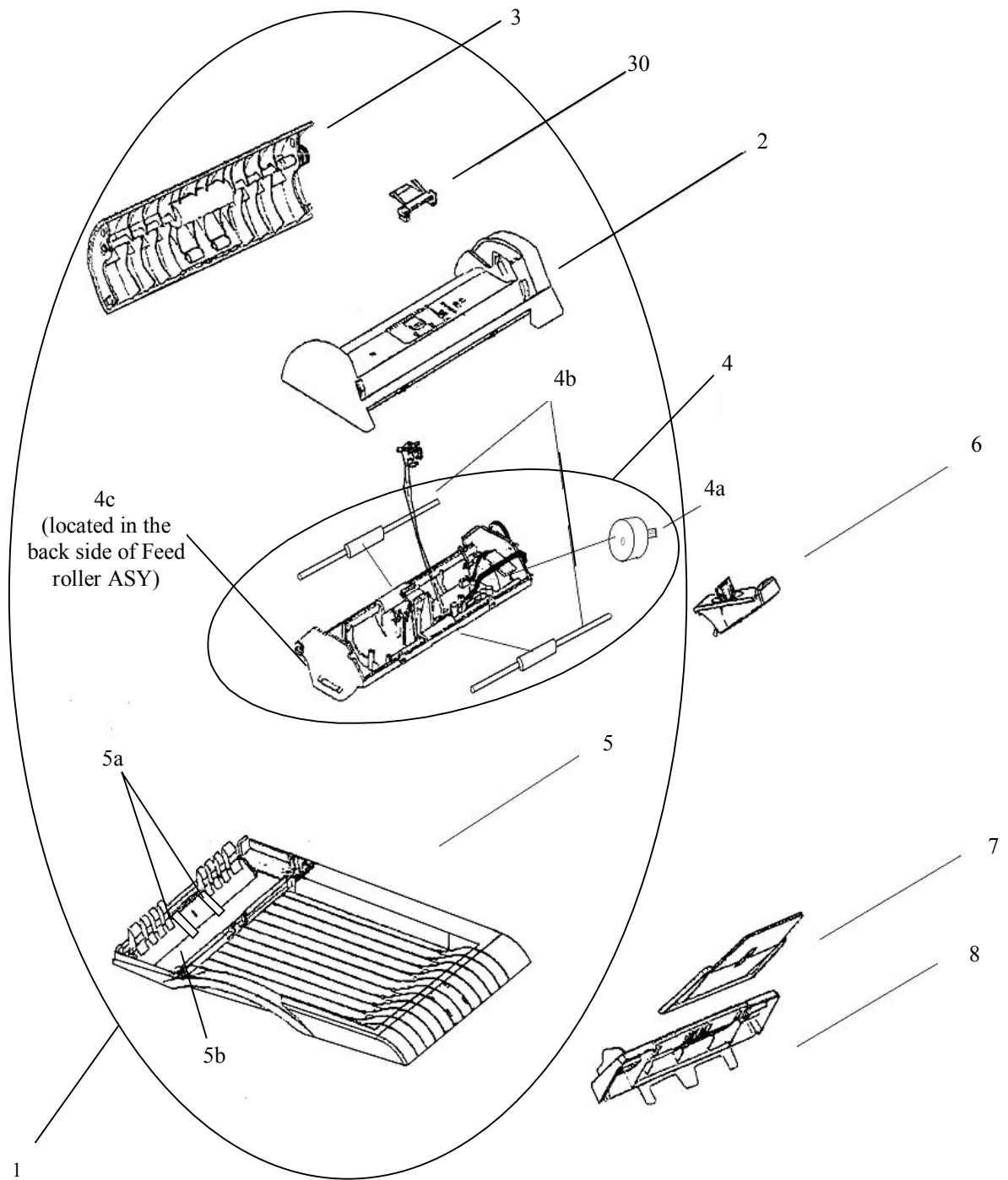


Fig. 5.1 Maintenance Parts (1) ADF unit

Rev	DATE	DESIG.	CHECK	APPR.	DESCRIPTION	TITLE	fi-4010CU IMAGE SCANNER MAINTENANCE MANUAL	
03	Aug. 15, 02	Anzai	Anzai	Hasegawa	See Revision Record on page 2	DRAW. No.	P1PA03209-B21X/6	CUST.
02	July 23, 02	Anzai	Anzai	Hasegawa	See Revision Record on page 2			
DESIG	May. 28, 02	Anzai	CHECK	Anzai	APPR. Hasegawa	PFU LIMITED		PAGE 76

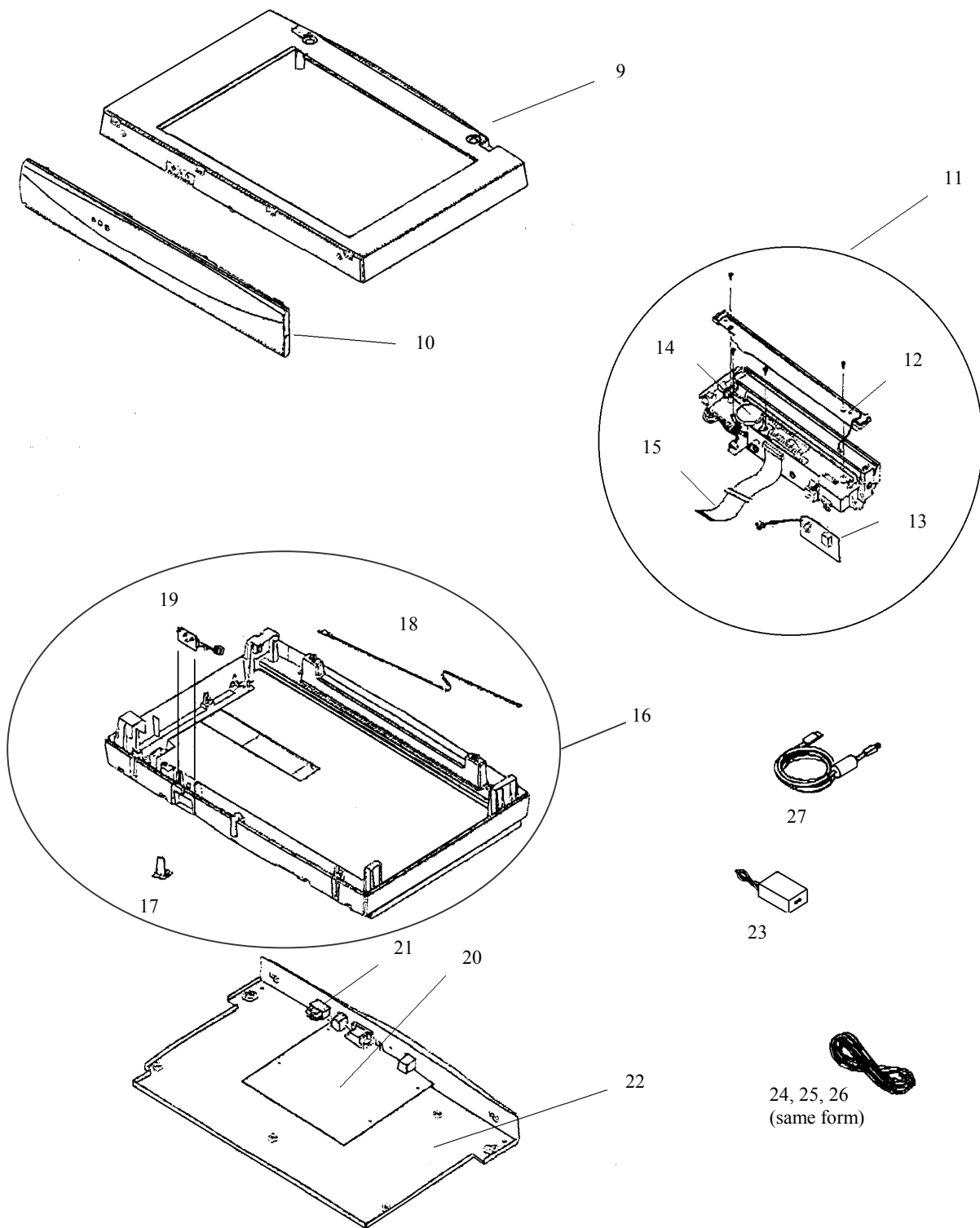


Fig. 5.2 Maintenance Parts (2) Flatbed unit

Rev	DATE	DESIG.	CHECK	APPR.	DESCRIPTION	TITLE	fi-4010CU IMAGE SCANNER MAINTENANCE MANUAL	
03	Aug. 15, 02	Anzai	Anzai	Hasegawa	See Revision Record on page 2	DRAW. No.	P1PA03209-B21X/6	CUST.
02	July 23, 02	Anzai	Anzai	Hasegawa	See Revision Record on page 2			
						PFU LIMITED		PAGE
								77
DESIG	May. 28, 02	Anzai	CHECK	Anzai	APPR. Hasegawa			